

Hour meters flush mounting - taxxo 112 (UWZ 48 KED)

Item No 05.15.1016.1 / EAN Code 4010940002275



PRODUCT DESCRIPTION

The taxxo 112 hour meters with AC intended for surface mounting is available in different voltage variants. The device is equipped with screw terminals and operates mains synchronised within an ambient temperature of -20 °C ... + 55 °C. The meter can monitor up to 99,999.99 hours of operation. The product complies with the safety guidelines of protection class II and protection type IP20 and even protection type IP54 by using a baffle with seal. taxxo is characterised by longlife and maintenance-free technology with robust and reliable design.

APPLICATIONS

- ▶ Machinery working time control
- ▶ Pumps working time control
- ▶ Effective runtime measurement of vehicles and machinery

TECHNICAL DATA

Electrical Data

Supply voltage	AC 18-26 V ± 10 % 50 Hz
Power consumption	1 VA
Accuracy	Mains synchronised

Power connection

Device	Flat connection DIN 6.3
--------	-------------------------

Display and format

Meter display	Analogue (7 digits)
	Hours

Operating conditions

Temperature (operation)	-20° C ... +55° C
-------------------------	-------------------

General specifications

Mounting	Installation
----------	--------------

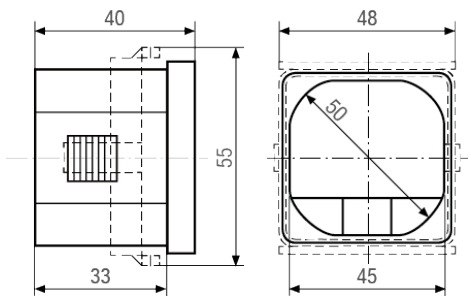
Compliance with standards

Protection type	IP20, IP54 with sealing
Protection class	II, according to corresponding mounting
Approval mark	CE
	CSA
	UL
	VDE
Standards and guidelines	EN 60335-1
	EN 60335-2-26

Scope of delivery

Housing	Catch frame
---------	-------------

DIMENSIONAL DRAWINGS



CIRCUIT DIAGRAMS

